



# vmi reliant™

## platformlifts

Combining the ultimate in reliability and affordability, the Reliant™ features a wide range of platform sizes and can accommodate a mobility device up to 51". With a welded all steel frame, a powerful hydraulic pump, and a simple electrical system for trouble-free operation, Reliant™ lifts are a solid, strong and proven mobility solution.

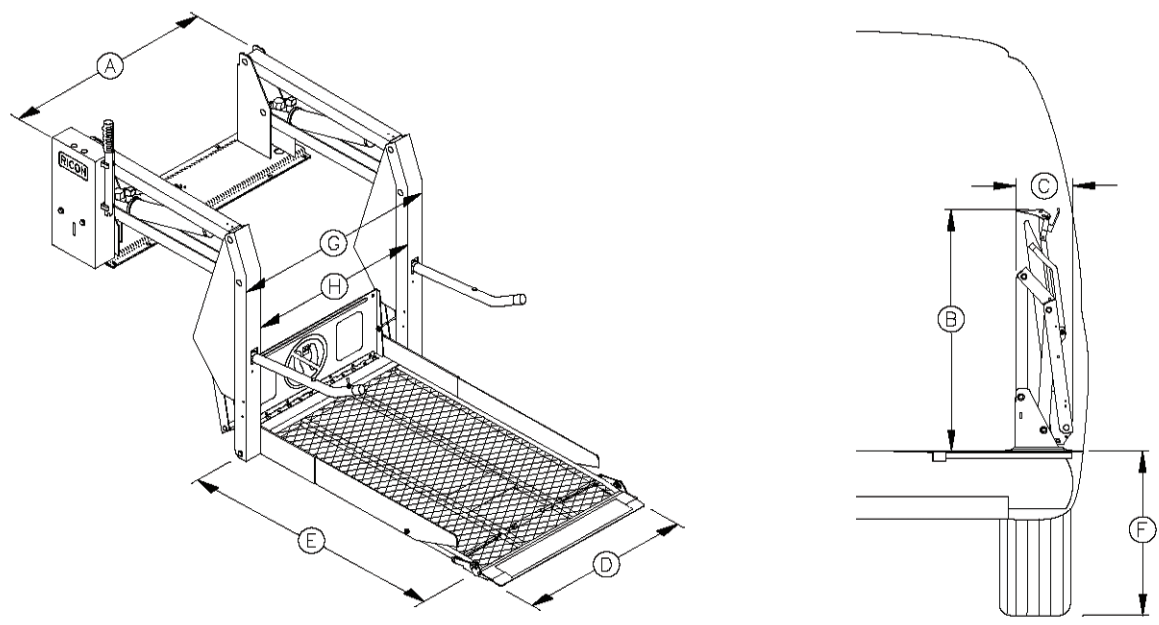
### advantages

- Automatic inboard/outboard rollstops
- Quiet, smooth operation
- Welded all-steel frame
- Non-skid platform
- Permanent no-lube bearings at all major pivot points

imaginepossibilities



Power.....	electro-hydraulic	Rated load capacity.....	800 lbs
Motor rating @ 12 volts DC.....	65.0 amp. avg/cycle, 1250 psi	Manual backup (up) .....	hand pump
@ 24 volts DC.....	32.5 amp. avg/cycle, 1250 psi	Manual backup (down) .....	pressure release valve
Hydraulic cylinders.....	2 ea, 1.5", power-up/gravity-down	Lift weight.....	310 - 325 lbs



**specifications** (inches)

	A	B	C	D	E	F	G	H
MODEL	Stationary frame width	Height (folded)	Installation depth (folded)	Usable platform width	Usable platform length	Floor-to-ground travel	Traveling frame width	Clear entry width
S1100-P	47	40.5	14	30	44	27	37.5	31
S1101-P	47	40.5	14	30	38	27	37.5	31
S1200-P	47	46.5	14	30	44	31	37.5	31
S1203-P	47	46.5	14	30	51	31	37.5	31
S1204-P	49	46.5	14	32	44	31	39.5	33
S1205-P	49	46.5	14	32	51	31	39.5	33
S1207-P	47	46.5	14	30	48	31	37.5	31
S1208-P	49	46.5	14	32	48	31	39.5	33

\*Lift can be rated 800 lbs. with optional install kit