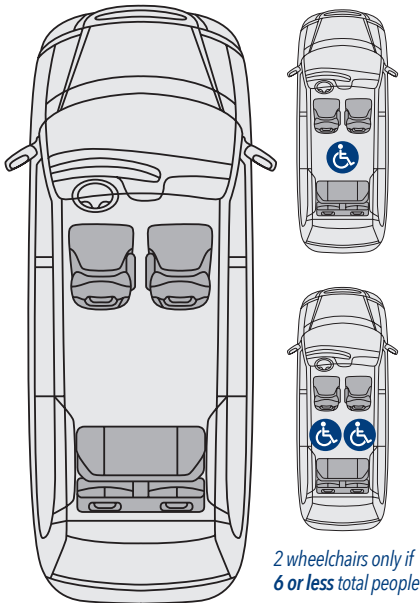


Toyota ADA Northstar E™ - Van Configuration and Seating Options (max. 6 passengers)

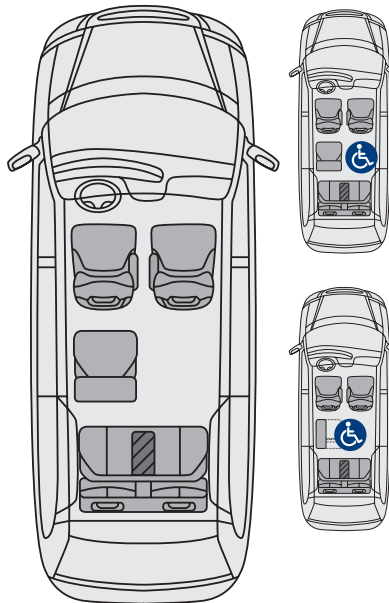
OPTION 1

- » Front seat installed
- » No mid-row seat
- » No rear seat reduction kit



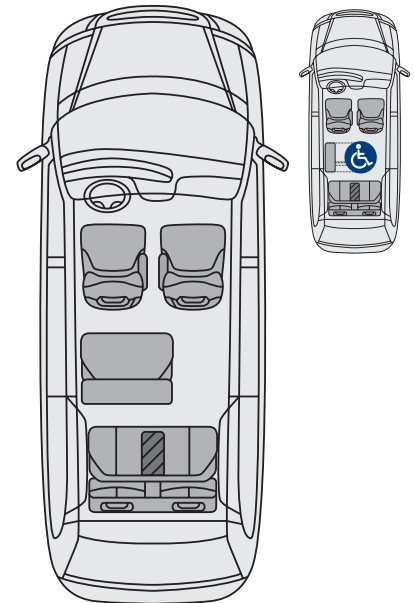
OPTION 2

- » Front seat installed
- » Single mid-row seat
- » Rear seat reduction kit provided



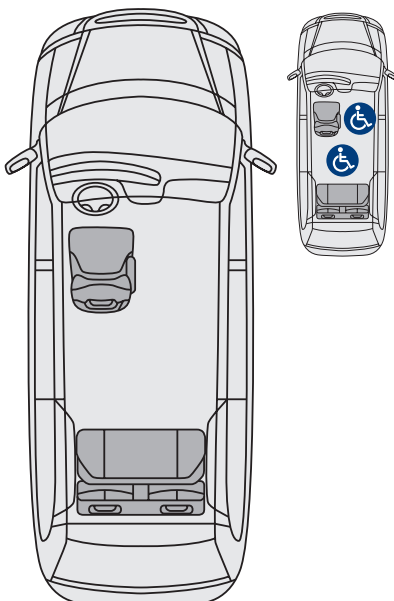
OPTION 3

- » Front seat installed
- » Dual mid-row seat
- » Rear seat reduction kit provided



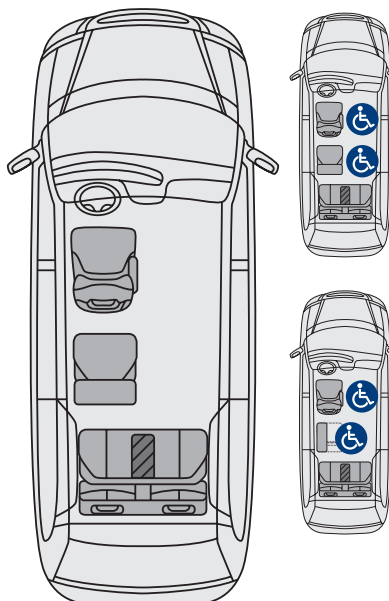
OPTION 4

- » No front seat installed
- » No mid-row seat
- » No rear seat reduction kit



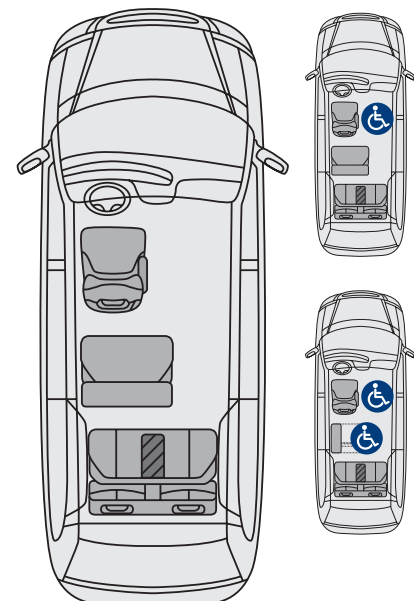
OPTION 5

- » No front seat installed
- » Single mid-row seat
- » Rear seat reduction kit provided



OPTION 6

- » No front seat installed
- » Dual mid-row seat
- » Rear seat reduction kit provided



Wheelchair user seating available

Note: The single and double mid-row seats can fold up when not in use to allow more interior space. Seating options may vary based on available payload. In the event that a van meets the 7 passenger payload requirement, the seat reduction kit will not be provided.

	TOTAL	USABLE
Floor width w/ no mid-row	65.5"	54"
Floor width w/ mid-row up	52"	40.5"
Floor width w/ single mid-row down	45.5"	34"