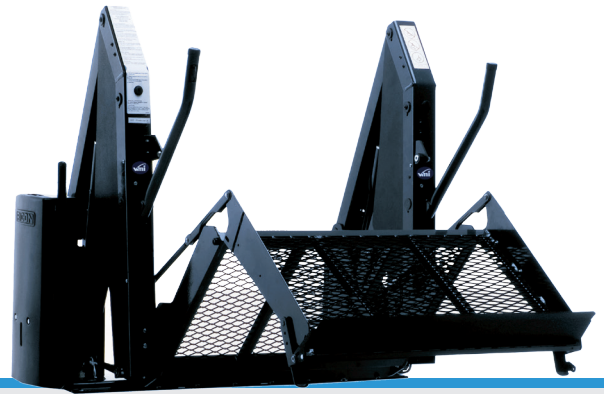




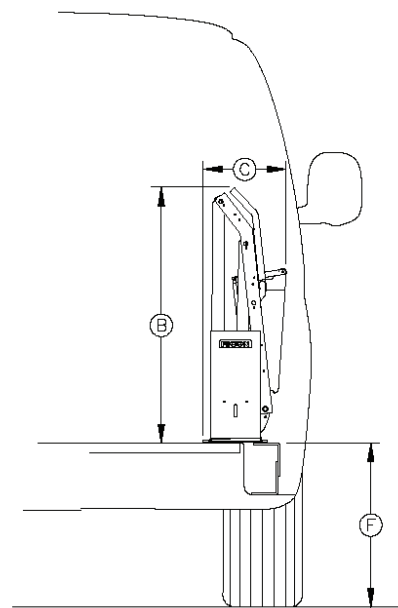
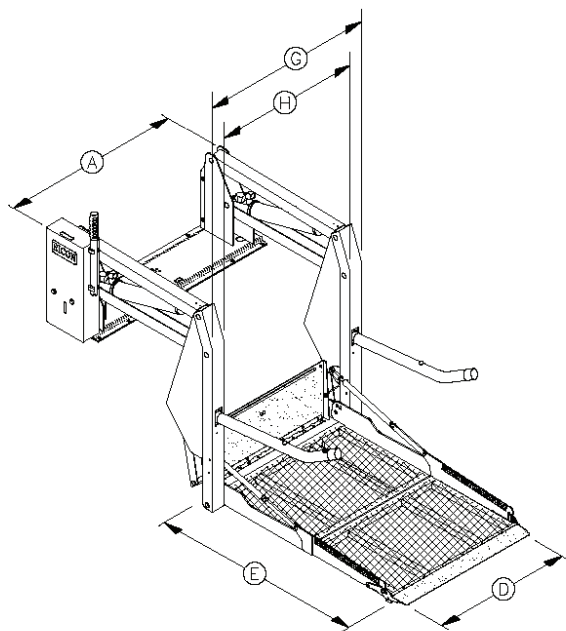
Ricon Wheelchair Lifts™



KlearVue™

Power..... electro-hydraulic
 Motor rating @ 12 volts DC 65.0 amp. avg/cycle, 1250 psi
 Hydraulic cylinders 2 ea, 1.5", power-up/gravity-down

Rated load capacity 800 lbs*
 Manual backup (up)..... hand pump
 Manual backup (down)..... pressure release valve
 Lift weight 310 - 325 lbs



Specifications (inches)

	A	B	C	D	E	F	G	H
MODEL	Stationary frame width	Height (folded)	Installation depth (folded)	Usable platform width	Usable platform length	Floor-to-ground travel	Traveling frame width	Clear entry width
K1132	43	38.6	15.5	26	38	24	33.5	29.25
K1200	47	38.5	15.5	30	44	28	37.5	29.25
K1203	47	43.6	15.5	30	51	28	37.5	29.25
K1205	49	43.6	15.5	32	51	28	39.5	31.25

* Lift is rated at 800lbs on Dodge Promaster and Ford Transit when installed with vehicle specific install kits.