

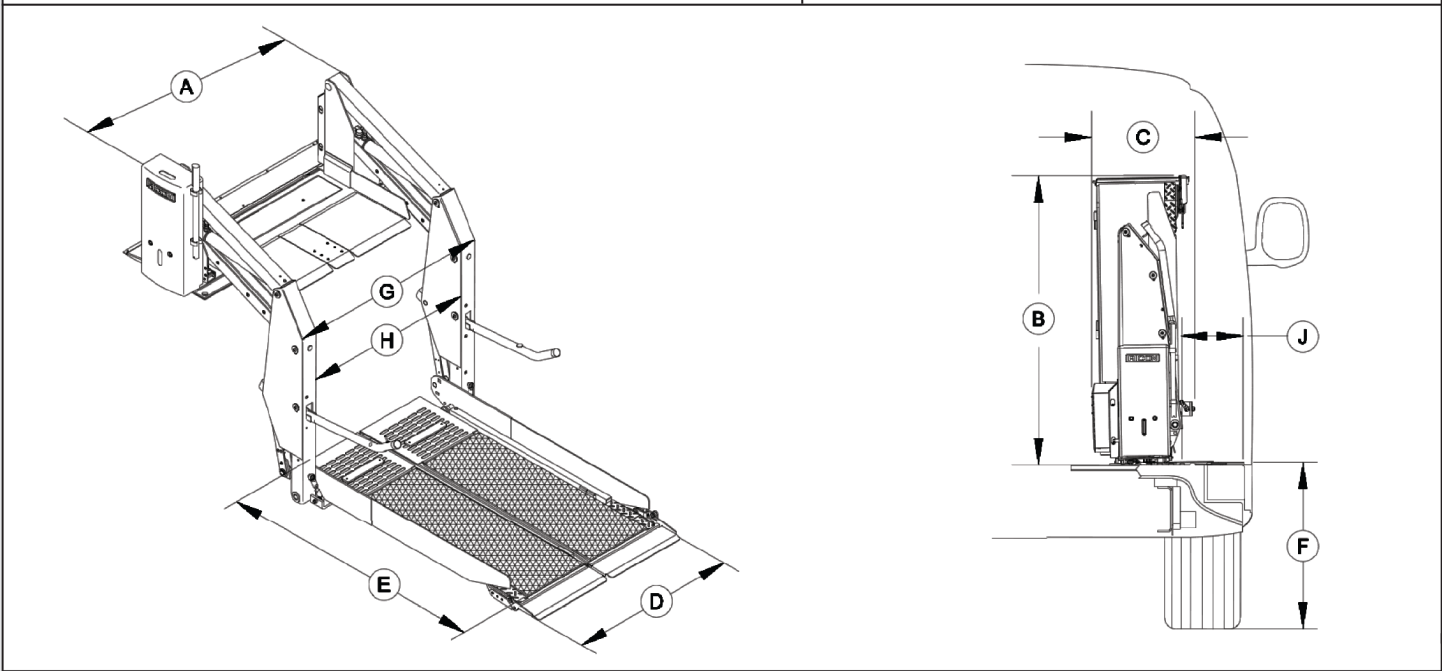


Ricon Wheelchair Lifts™



Slide-Away™

| | |
|--|---|
| Power electro-hydraulic | Rated load capacity 600 lbs |
| Motor rating @ 12 volts DC 65.0 amp. avg/cycle, 1250 psi | Manual backup (up) hand pump |
| Hydraulic cylinders 2 ea, 1.5", power-up/gravity-down | Manual backup (down) pressure release valve |
| | Lift weight 360-390 lbs |



| Specifications (inches) | | | | | | | | | | |
|-------------------------|------------------------|-----------------|-----------------------------|-----------------------|------------------------|------------------------|-----------------------|-------------------|-------------------|-----------------|
| MODEL | A | B | C | D | E | F | G | H | *I | **J |
| | Stationary frame width | Height (folded) | Installation depth (folded) | Usable platform width | Usable platform length | Floor-to-ground travel | Traveling frame width | Clear entry width | Stowed arms width | Installed depth |
| ST00 | 45.0 | 46.0 | 21.5 | 30.0 | 42.0 | 30.0 | 37.5 | 31.0 | 19.3 (max) | 7.0 |
| ST01 | 45.0 | 52.0 | 21.5 | 30.0 | 48.0 | 30.0 | 37.5 | 31.0 | 19.3 (max) | 7.0 |

*Item "I" is not shown. **Measurement for item "J" is taken from front edge of baseplate to door sill.